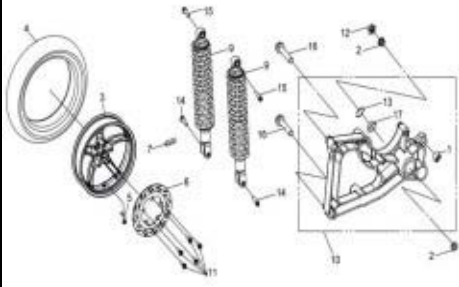


CONTENTS – FRAME GROUP 2

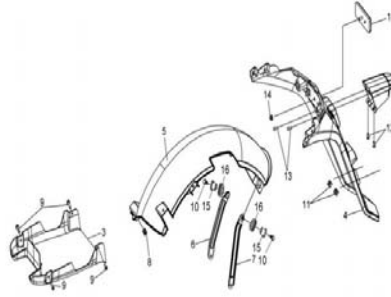
F13

RR WHEEL&RR FORK



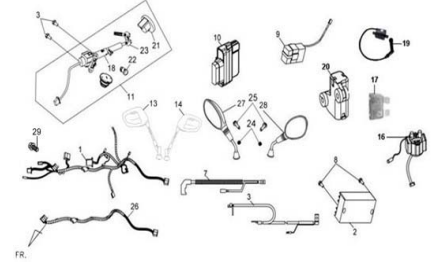
F14

RR. FENDER ASSY



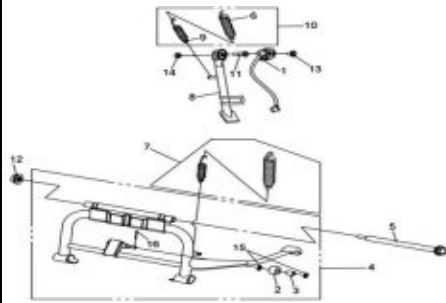
F15

WIRE HARNESS & ELECTRIC PART



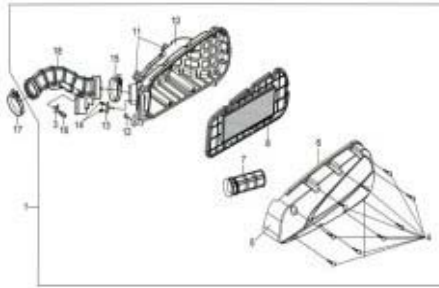
F16

MAIN STAND



F17

AIRCLEANER ASSY



F18

MUFFLER ASSY

