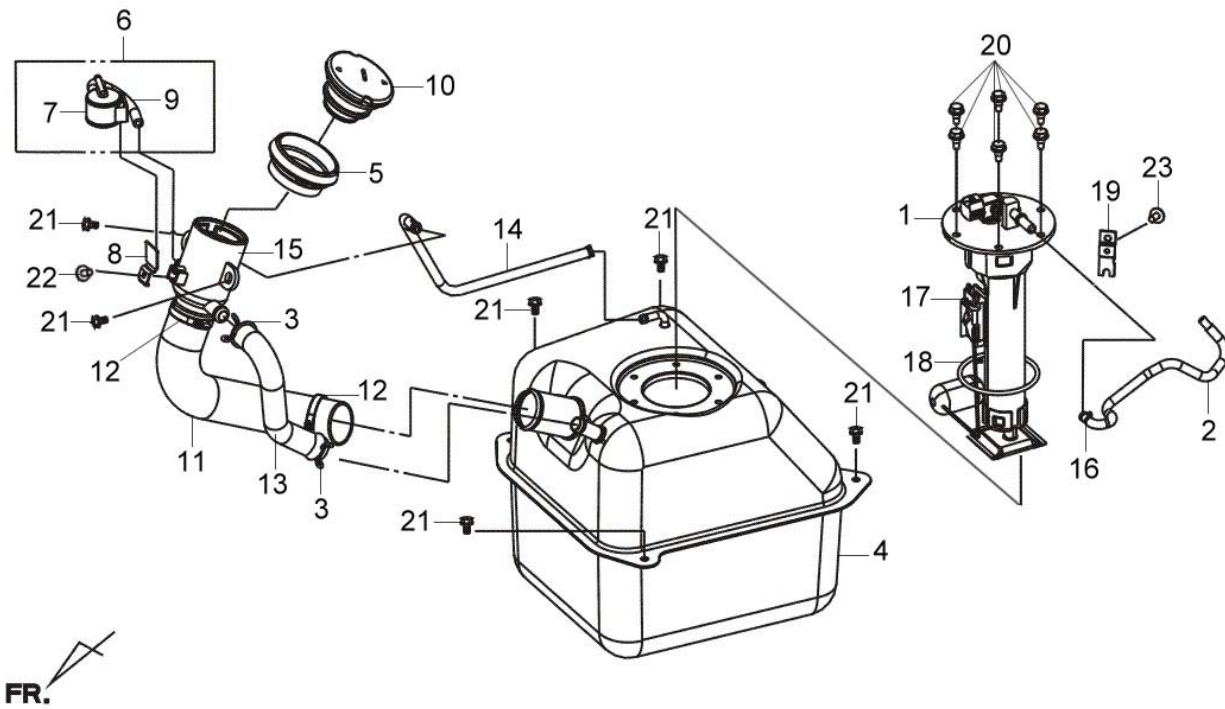


Pictures reference only

| PARTS NUMBER      | DESCRIPTION             | QTY | EFFECTIVE DATE |   |
|-------------------|-------------------------|-----|----------------|---|
| 1 1670A-LEA-000   | FUEL PUMP ASSY          | 1   |                |   |
| 1 1670A-LEA-100   | FUEL PUMP ASSY          | 1   | 2009/5/14      | Y |
| 1-1 16711-M9Q-000 | FUEL PUMP FILTER SCREEN | 1   |                |   |
| 1-2 16712-M9Q-000 | PUSH NUT                | 1   |                |   |
| 2 16730-LEB-000   | FUEL TUBE               | 2   |                |   |
| 3 17369-KB4-670   | BREATHER TUBE CLIP      | 2   |                |   |
| 4 17500-LEA-010   | FUEL TANK               | 1   |                |   |
| 5 17509-H12-000   | FUEL TANK CAP RUBBER    | 1   |                |   |
| 6 17580-LEB-000   | FUEL CUT VALVE ASSY     | 1   |                |   |
| 7 17581-HMA-000   | FUEL CUT VALVE(LIYANG)  | 1   |                |   |
| 8 17583-LEA-000   | FCV STAY                | 1   |                |   |
| 9 17585-LEB-000   | TANK-FCV TUBE           | 1   |                |   |
| 10 17620-H6P-000  | FUEL FILLER CAP COMP.   | 1   |                |   |
| 11 17651-LEB-000  | FUEL NECK TUBE          | 1   |                |   |
| 12 17652-TAA-000  | FILTER TUBE CLIP        | 2   |                |   |
| 13 17653-LEB-000  | BREATHER TUBE           | 1   |                |   |
| 14 17654-LEB-000  | BREATHER TUBE B         | 1   |                |   |
| 15 17660-LEA-000  | FILLER PIPE COMP        | 1   |                |   |



Pictures reference only

| PARTS NUMBER | DESCRIPTION          | QTY                 | EFFECTIVE DATE |             |
|--------------|----------------------|---------------------|----------------|-------------|
| 16           | 19505-H5D-900        | HOSE CLAMP          | 1              |             |
| 17           | 37800-LEA-000        | FUEL UNIT           | 1              |             |
| 17           | <b>37800-LEA-010</b> | FUEL UNIT           | 1              | 2013/6/17 Y |
| 18           | 37801-A5L-000        | FUEL FILTER PACKING | 1              |             |
| 19           | 37804-LEA-000        | FUEL UNIT STAY      | 1              |             |
| 20           | 90106-LEA-000        | FUEL PUMP BOLT      | 6              |             |
| 21           | 93404-06012-07       | WASHER BOLT 6X12    | 6              |             |
| 22           | 93903-34320          | TAPPING SCREW 4X12  | 1              |             |
| 23           | 93903-HGC-000        | TAPPING SCREW       | 1              |             |

TEAMWORLD IND. 2008.02

※ Please check the color & stripe information according to the color index !