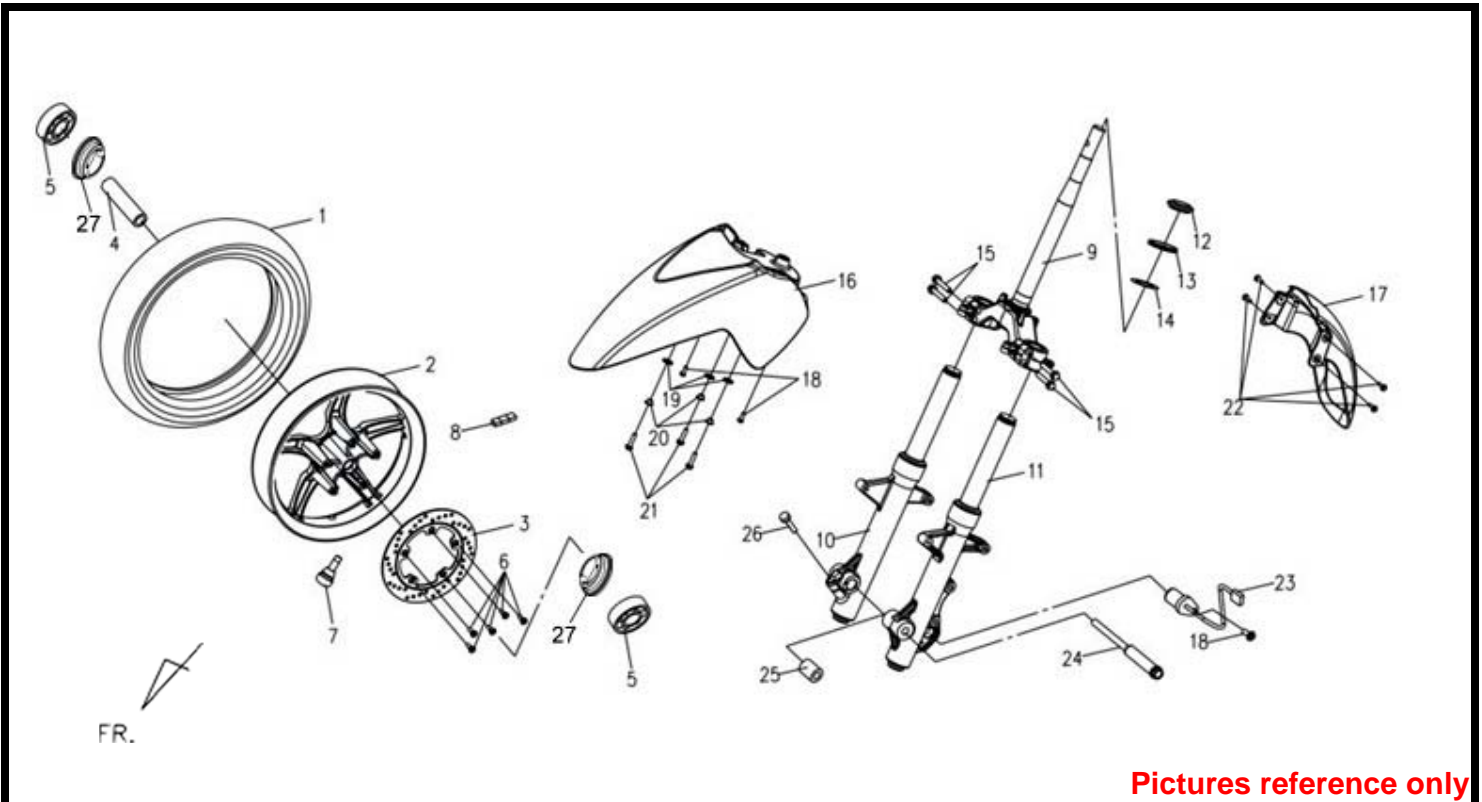


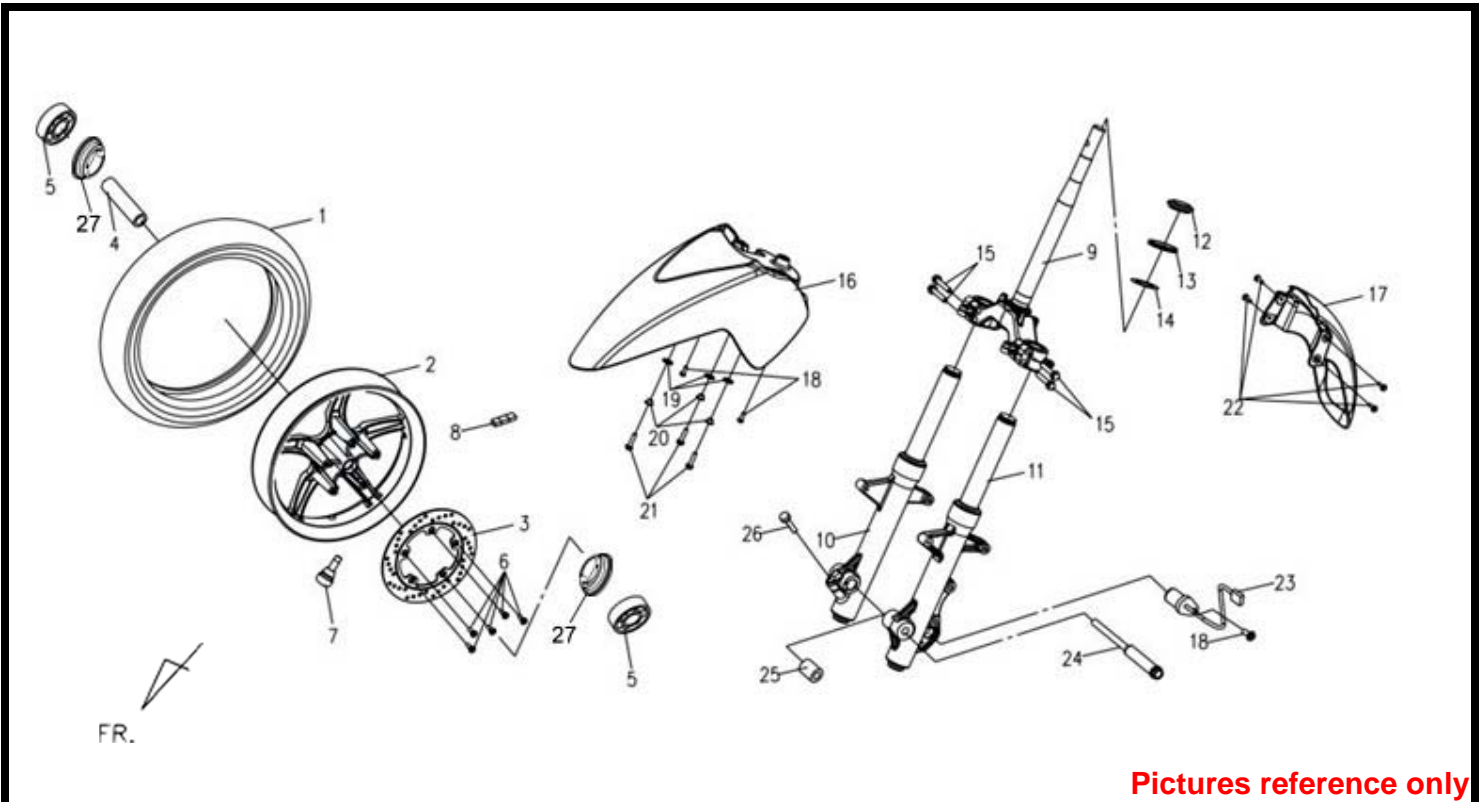
Pictures reference only

PARTS NUMBER	DESCRIPTION	QTY	EFFECTIVE DATE
1 1T011107016-4PR-6031	FR TIRE ASSY(110/70-16 52P)	1	
2 44601-LEA-000-SO	FR CAST WHEEL COMP S-421S	1	
2 44601-LEA-000-KB1	FR CAST WHEEL COMP BK-001C	1	
3 45121-LEA-000-SO	FR. BRAKE DISK S-421S	1	
4 44620-LEA-000	FR AXLE DIST COLLAR	1	
5 90912-LEA-000	BEARING 6202(LLU)	2	
6 90105-KR3-000	FR. DISK BOLT 8*24	5	
7 42753-KBN-902	RIM VALVE	1	
8 44720-H9A-000	BALANCE WEIGHT	1	
9 53200-LEA-000	STRG STEM COMP	1	
10 51400-LEA-000-SO	R CUSHION ASSY S-421S	1	
10-1 91255-LEA-000	OIL SEAL	1	
10-2 91256-LEA-000	DUST OIL SEAL	1	
10-3 51410-LEA-000	FR.CUSHION PIPE	1	
10-4 FA581-487-00	SPRING COLLAR	1	
10-5 F8781-340-00	O-RING	1	
10 51400-LEA-000-KB	R CUSHION ASSY BK-001C	1	
10-1 91255-LEA-000	OIL SEAL	1	
10-2 91256-LEA-000	DUST OIL SEAL	1	
10-3 51410-LEA-000	FR.CUSHION PIPE	1	



Pictures reference only

PARTS NUMBER	DESCRIPTION	QTY	EFFECTIVE DATE
10-4 FA581-487-00	SPRING COLLAR	1	
10-5 F8781-340-00	O-RING	1	
11 51500-LEA-000-SO	L CUSHION ASSY S-421S	1	
11-1 91255-LEA-000	OIL SEAL	1	
11-2 91256-LEA-000	DUST OIL SEAL	1	
11-3 51410-LEA-000	FR.CUSHION PIPE	1	
11-4 FA581-487-00	SPRING COLLAR	1	
11-5 F8781-340-00	O-RING	1	
11 51500-LEA-000-KB	L CUSHION ASSY BK-001C	1	
11-1 91255-LEA-000	OIL SEAL	1	
11-2 91256-LEA-000	DUST OIL SEAL	1	
11-3 51410-LEA-000	FR.CUSHION PIPE	1	
11-4 FA581-487-00	SPRING COLLAR	1	
11-5 F8781-340-00	O-RING	1	
12 53212-LEA-000	STRG. BOTTOM CONE RACE	1	
13 53214-HMA-000	STRG. DUST SEAL	1	
14 53215-HHA-000	STRG. HEAD SEAL WASHER	1	
15 95801-10045-08	BOLT; FLANGE 10X45	4	
16 61100-LEA-000-JZ	FR. FENDER BK-5395S-D	1	
16 61100-LEA-000-FQZ	FR. FENDER BU-289S-D	1	



PARTS NUMBER	DESCRIPTION	QTY	EFFECTIVE DATE
16 61100-LEA-000-IGZ	FR. FENDER GY-419S-D	1	
16 61100-LEA-000-QZ	FR. FENDER S-421S-D	1	
16 61100-LEA-000-IL	FR.FENDER GY-7450U	1	
16 61100-LEA-000-RT	FR.FENDER R-010CA	1	
17 61110-LEA-000-KA	FR. MUDGUARD BK-001U	1	
18 95801-06016-07	FLANGE BOLT 6X16	2	
19 90104-X04-000	FR. FORK COVER COLLAR	3	
20 77226-M3F-000	DAMP RUBBER	3	
21 95801-06030-08	BOLT. FLANGE 6X30	3	
22 93891-06020-07	WASHER SCREW 6X20	4	
23 44800-LEA-000	SPEED SENSOR ASSY	1	
24 44301-LEA-000	FR WHEEL AXLE	1	
25 44311-LEA-000	FR WHEEL SIDE COLLAR	1	
26 96700-08020-00	SOCKET BOLT 8X20	1	
27 90754-LEA-000	DUST SEAL 20X35X5.0	2	

TEAMWORLD IND. 2008.02

※ Please check the color & stripe information according to the color index !