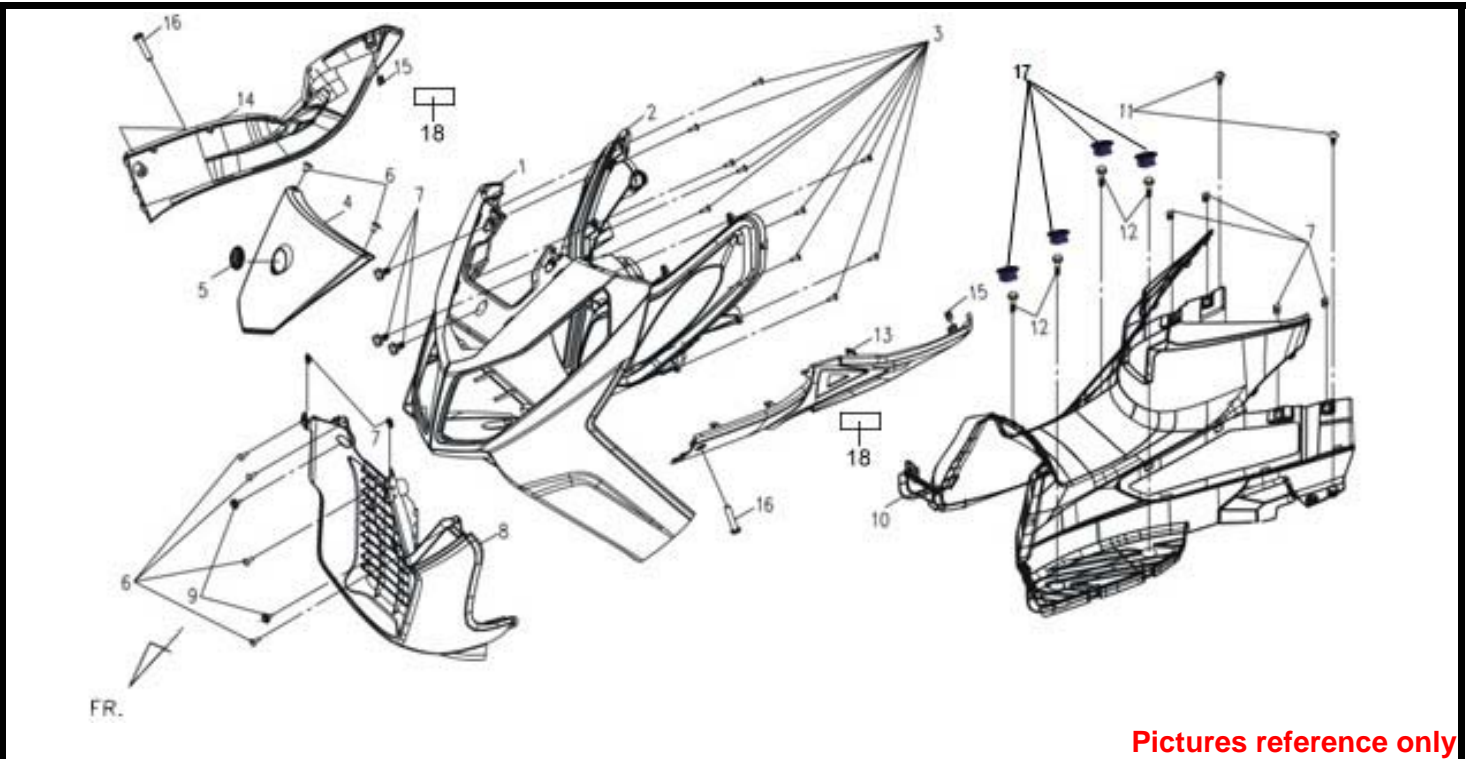


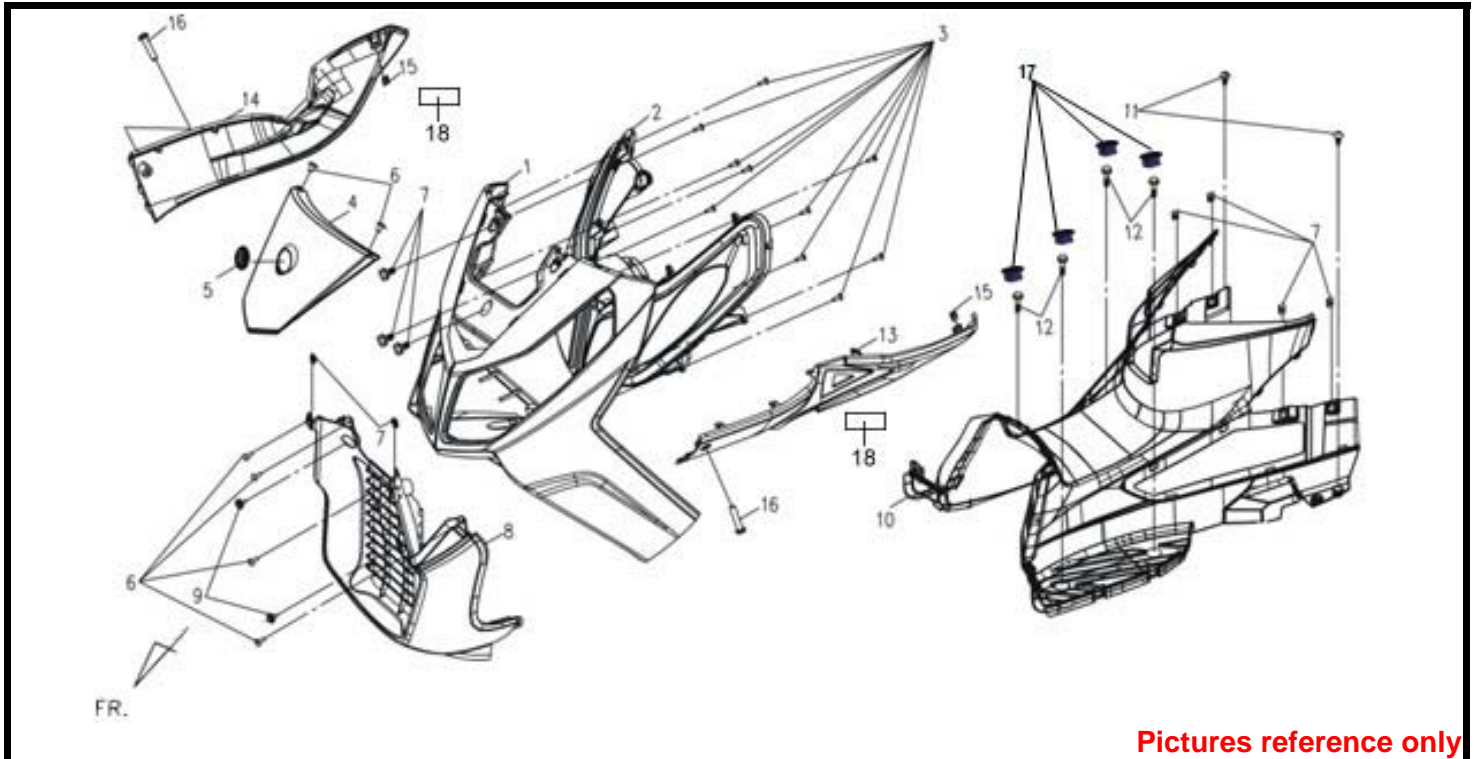
Pictures reference only

PARTS NUMBER		DESCRIPTION	QTY	EFFECTIVE DATE	
1	64301-LEA-000-JZ	FR COVER(BK-5395S-D)	1		
1	64301-LEA-000-FQZ	FR COVER(BU-289S-D)	1		
1	64301-LEA-000-IGZ	FR COVER(GY-419S-D)	1		
1	64301-LEA-000-QZ	FR COVER(S-421S-D)	1		
1	64301-LEA-000-IL	FR COVER GY-7450U	1		
1	64301-LEA-000-RT	FR COVER R-010CA	1		
2	33100-LEB-000	HEAD LIGHT ASSY	1		
2	<b>33100-LEB-100</b>	HEAD LIGHT ASSY	1	4/01/10	Y
2-1	34901-LEA-000	HEAD LIGHT BULB	1		
2-2	34905-HMA-000	BULB WINKER 12V/21W	1		
2-3	34908-LEA-000	POSITION BULB	1		
2-4	33130-LEA-000	SOCKET,HEAD LIGHT COMP	1		
3	93903-25320	TAPPING SCREW 5X16	10		
4	6430G-LEA-000-KB	FR.COVER EMBLEM ASSY(BK-001C)	1		
5	87123-H85-000	S-LOGO 40MM(POLY)	1		
5	<b>87123-TFR-000</b>	S-LOGO 40MM(POLY)	1	1/12/09	N
5	<b>87123-LVG-000</b>	S LOGO (40PU-AL)	1	8/30/11	
6	93903-34320	TAPPING SCREW 4X12	6		
7	93404-06012-07	WASHER BOLT 6X12	6		
8	64300-LEA-000-JZ	FR UNDER SPOILER(BK-5395S-D)	1		
8	<b>64300-LEA-010-JZ</b>	FR UNDER SPOILER BK-5395S-D	1	11/03/08	N
8	64300-LEA-000-FQZ	FR UNDER SPOILER(BU-289S-D)	1		



Pictures reference only

PARTS NUMBER	DESCRIPTION	QTY	EFFECTIVE DATE	
8 64300-LEA-010-FQZ	FR UNDER SPOILER BU-289S-D	1	11/03/08	N
8 64300-LEA-000-IGZ	FR UNDER SPOILER(GY-419S-D)	1		
8 64300-LEA-010-IGZ	FR UNDER SPOILER GY-419S-D	1	11/03/08	N
8 64300-LEA-000-QZ	FR UNDER SPOILER(S-421S-D)	1		
8 64300-LEA-010-QZ	FR UNDER SPOILER S-421S-D	1	11/03/08	N
9 93404-06016-07	BOLT WASHER 6X16	2		
8 64300-LEA-010-IL	FR UNDER SPOILER GY-7450U	1		
8 64300-LEA-010-RT	FR UNDER SPOILER R-010CA	1		
10 64310-LEA-000-KA	FLOOR PANEL(BK-001U)	1		
10 64310-LEA-010-KA	FLOOR PANEL BK-001U	1	11/03/08	N
10-1 64303-HEG-000	PILLION STEP CAP COLLAR	1	11/03/08	
10-2 64306-HEB-000	PILLION STEP CAP(BK)	1	11/03/08	
11 93903-34380	TAPPING SCREW 4X12	2		
12 90308-X04-000	SPECIAL NUT 5MM	1		
13 83620-LEA-000-JZ	L SIDE COVER(BK-5395S-D)	4		
13 83620-LEA-000-FQZ	L SIDE COVER(BU-289S-D)	4		
13 83620-LEA-000-IGZ	L SIDE COVER(GY-419S-D)	4		
13 83620-LEA-000-QZ	L SIDE COVER(S-421S-D)	4		
13 83620-LEA-000-IL	L SIDE COVER GY-7450U	4		
13 83620-LEA-000-RT	L SIDE COVER R-010CA	4		
14 83520-LEA-000-JZ	R SIDE COVER(BK-5395S-D)	1		
14 83520-LEA-000-FQZ	R SIDE COVER(BU-289S-D)	1		



Pictures reference only

PARTS NUMBER		DESCRIPTION	QTY	EFFECTIVE DATE
14	83520-LEA-000-IGZ	R SIDE COVER(GY-419S-D)	1	
14	83520-LEA-000-QZ	R SIDE COVER(S-421S-D)	1	
14	83520-LEA-000-IL	R SIDE COVER GY-7450U	1	
14	83520-LEA-000-RT	R SIDE COVER R-010CA	1	
15	90677-M9Q-000	CLIP NUT 5MMX0.8	1	
16	93891-05016-07	WASH SCREW 5X16	2	
17	50612-F02-010-KA	CAP A FLR STEP (BK-001U)	4	
18	87123-HWA-000-S	SYM STRIPE TYPE1(S-480S)	2	

TEAMWORLD IND. 2008.02

※ Please check the color & stripe information according to the color index !