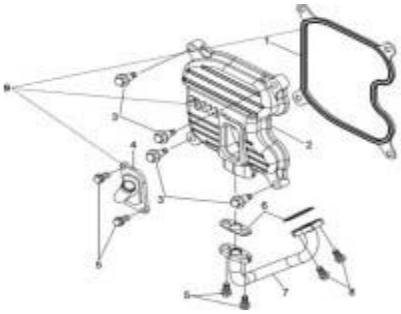
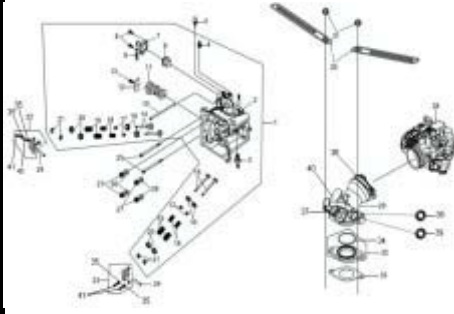


CONTENTS—ENGINE GROUP 1

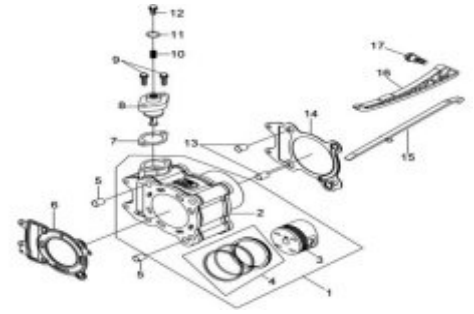
E01
CYLINDER HEAD COVER



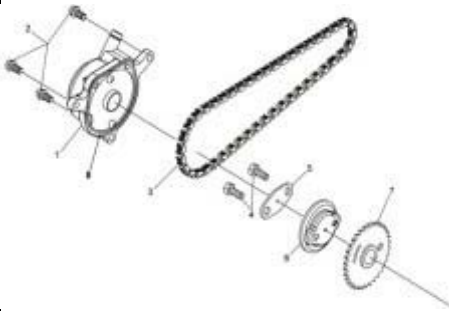
E02
CYLINDER HEAD ASSY.



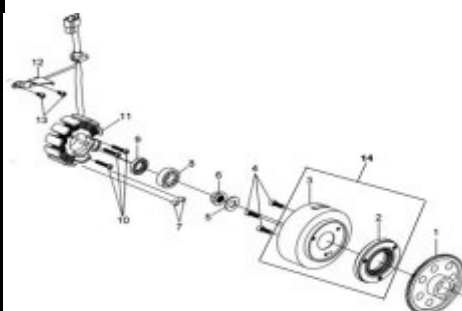
E03
CYLINDER COMP.



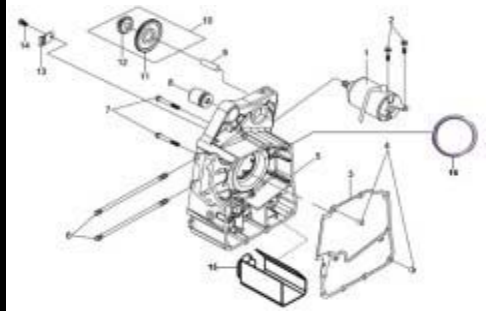
E04
CYLINDER HEAD SIDE COVER



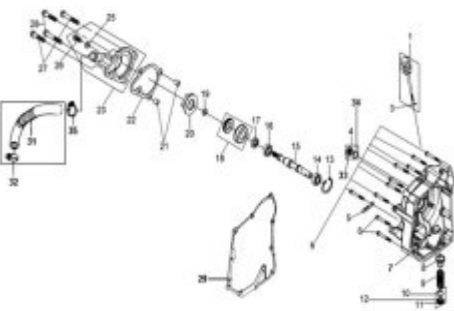
E05
A.C.G. ASSY



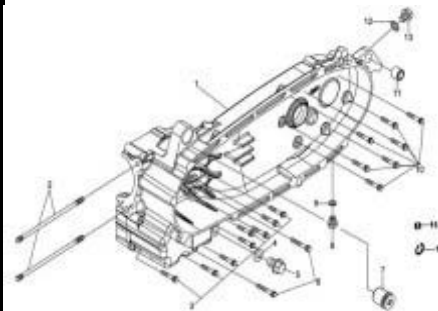
E06
R. CRANK CASE COMP.



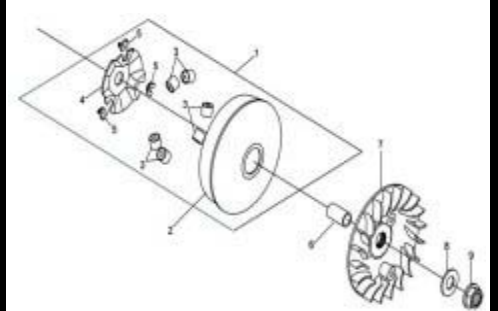
E07
R. CASE COVER



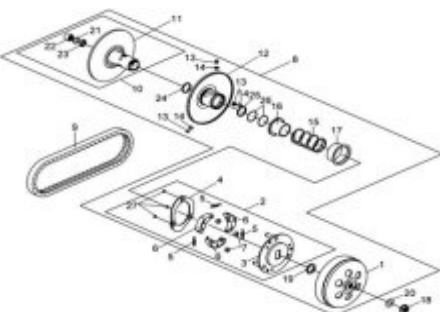
E08
L. CRANK CASE COMP.



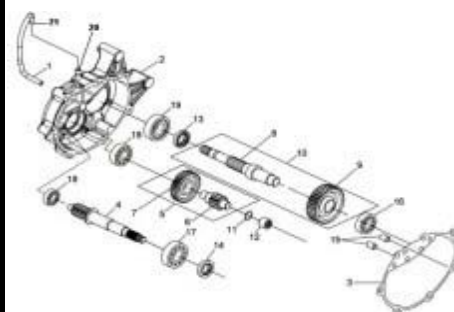
E09
MOVABLE DRIVE FACE ASSY.



E10
DRIVEN PULLEY ASSY



E11
MISSION CASE



E12
CRANK SHAFT

